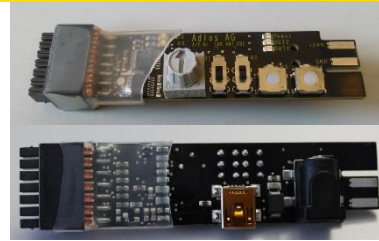


KannMOTION EvalBoard for K17ab/K24c
KannMOTION accessory
Product description

- Evaluation board for K17a,b and K24C
- Easy to use with KannMOTION drives
- Troubleshooting
- In-Output stimuli
- Plug and Play


Benefits

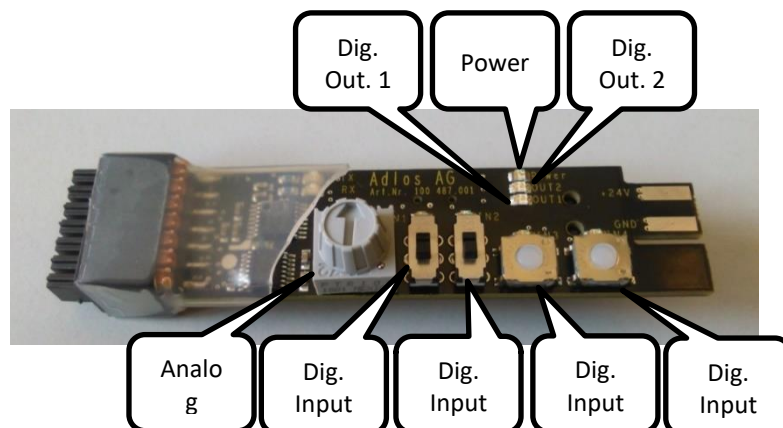
With this conversion module and the cable harness you can test, troubleshoot and learn the functions and benefits of the KannMOTION in your own motion application. The digital input is connected to a button and the digital output to a LED. This setup allows you to interact with the KannMOTION.

Technical data

Rated supply voltage (Logic)	24 VDC / 60W
Push buttons	2
Switches	2
Potentiometer	1
LED	2
RS232 Interface	1
USB Interface	1
Motor connector	J 14 pol. female connector 6A RM2.54mm
Dimensions	80mm x 20 mm x 20 mm

Ordering information

Part number	Description
100 546.000	KannMOTION EvalBoard for K17ab/K24c
200 983.000	SGA60E24-P1J 24V 60W
201 035.000	USB Kabel Typ: USB-Kabel A auf Mini B 5pol 1,8m schwarz

Layout


KannMotion Manager tool (190081), manage your drives



KannMOTION Manager is the general tool for our generation 2 (GEN2) drives. This tool comes with an integrated C-coder and a visual drag and drop user interface for customizing your drive.

<https://kannmotion.adlos.com/download/kannmotionmanager/application/SetupKannMOTIONManager.zip>

Additional Documentation and important information

The document **Security Manual** (http://www.kannmotion.de/man_doc.php) specifies the intended use of the KannMOTION. It also has useful information related to all KannMOTION products and defines the laws and standard the KannMOTION is designed for and with. Please read this document carefully and comply with the information given in this document.

Proper use



Do not connect or disconnect motor during operation!

Motor cable and motor inductivity might lead to voltage spikes when the motor is disconnected / connected while energized. These voltage spikes might exceed voltage limits of the driver MOSFETs and might permanently damage them. Therefore, always disconnect power supply before connecting / disconnecting the motor



Keep the power supply voltage below the upper limit!

Otherwise the driver electronics will seriously be damaged! Especially, when the selected operating voltage is near the upper limit a regulated power supply is highly recommended.



Check your mechanical system, is it able to drive the motor, avoid motor being used as generator

Every motor could be operated as an voltage generator, so take care about generated voltage, this might damage your electronics by overvoltage. Add some voltage limiter units to keep supply voltage in range.

Contact information

Adlos AG
Föhrenweg 14
FL-9496 Balzers

Thomas Vogt
Thomas.Vogt@adlos.com
Tel: +423 263 63 63

Countries: CH, A, LI, SK, IT
www.adlos.com

KOCO MOTION GmbH
Niedereschacher Straße 54
D-78083 Dauchingen

Olaf Kämmerling
O.Kaemmerling@kocomotion.de
Tel: +49 7720/995858-0

Countries: DE, BE, NL, LU
www.kocomotion.de